

MEDIUM VOLTAGE CONTROL TRANSFORMERS

GENERAL SPECIFICATIONS:

BUILDING STYLE:

Approvals: This product is not UL/CSA

130°C Insulation system

24" Minimum primary lead length

Frequency: 60Hz

HIPOT: 7,400 volts for 2,400 volt primary

11,500 volts for 4160 volt primary

Construction: 750VA – Epoxy impregnated coils

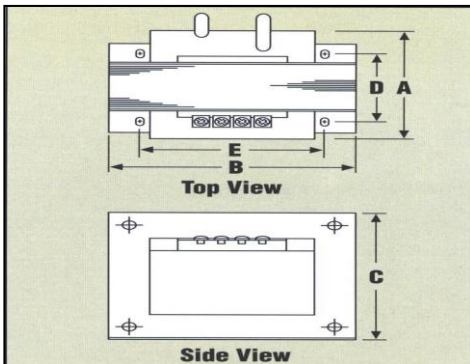
1Kva and larger – Epoxy potted primary coils

Primary: 4200 Secondary: 120			
T	F.L.A.	VA	CATALOG NUMBER
W/4		6.25 750	H750-0030

Primary: 2400 Secondary: 120			
T	F.L.A.	VA	CATALOG NUMBER
W/4	6.25	750	H750-0031

Primary: 4160 Secondary: 120 x 240			
T	F.L.A.	VA	CATALOG NUMBER
W/4	8.33/4.17	1000	H1K0-0015
W/4	12.50/6.25	1500	HN1K5G1519P
W/4	16.67/8.33	2000	HN2K0G1519P
W/4	25.00/12.50	3000	HN3K0G1519P

Primary: 2400 Secondary: 120 x 240			
T	F.L.A.	VA	CATALOG NUMBER
W/4	8.33/4.17	1000	H1K0-0010
W/4	12.50/6.25	1500	HN1K5F1519P
W/4	16.67/8.33	2000	HN2K0F1519P
W/4	25.00/12.50	3000	HN3K0F1519P



Voltage – Pri: 4200* or 2400 Sec: 120

VA	DIMENSIONS		INCH		MM		INCH		MM		W
	A	B	C	D	E						LBS
*H750-0030	6.63	6.38	5.81	5.25	168	162	148	133	5.31	135	30.50
H750-0031	6.63	6.38	5.81	5.25	168	162	148	133	5.31	135	30.70

Voltage – Pri: 4160* or 2400 Sec: 120 x 240

VA	DIMENSIONS		INCH		MM		INCH		MM		W
	A	B	C	D	E						LBS
H1K0-0010	6.25	7.56	6.38	3.50	159	192	162	89	5.63	143	31.30
*H1K0-0015	6.25	7.56	6.38	3.50	159	192	162	89	5.63	143	31.10
HN1K5F1519P	7.00	9.00	7.63	4.25	178	229	194	108	6.50	165	53.7
*HN1K5G1519P	7.00	9.00	7.63	4.25	178	229	194	108	6.50	165	53.2
HN2K0F1519P	7.94	9.00	7.63	5.19	202	229	194	132	6.50	165	65.40
*HN2K0G1519P	7.94	9.00	7.63	5.19	202	229	194	132	6.50	165	58.20
HN3K0F1519P	9.75	9.00	7.63	7.00	248	229	194	178	6.50	165	99.90
*HN3K0G1519P	9.75	9.00	7.63	7.00	248	229	194	178	6.50	165	101.00

CONTROL TRANSFORMER ACCESSORIES

CATALOG NUMBER	DESCRIPTION	APPROX. WEIGHT	
		LBS	KG
	IP-20 Safetouch™ Covers		
TPTC-2001	10PACK 4TERM.	1.0	0.5
TPTC-2002	10PACK 6TERM.	1.0	0.5
TPTC-2006	10PACK UNIVERSAL PRI BLOCK	1.0	0.5
			
FKTP-1001	PRIMARY CL "CC" FUSE KIT	0.25	0.1
			
Bulk Fuse Clips			
514-1661-01C	BULK FUSE CLIPS 13/32 X 1-1/2 SMALL TERMINALS	N/A	
514-1662-01A	BULK FUSE CLIPS 13/32 X 1-1/2 LARGE TERMINALS	N/A	
514-1661-02C	BULK FUSE CLIPS 1/4 X 1-1/4 SMALL TERMINALS	N/A	
514-1662-02A	BULK FUSE CLIPS 1/4 X 1-1/4 LARGE TERMINALS	N/A	
514-1621A	BULK FUSE CLIPS 9/16 X 2 FITS SMALL TERMINALS ONLY	N/A	
Bulk Jumpers			
514-1653-02A	BAGGED JUMPERS SMALL TERMINALS – 2 PER BAG	N/A	
514-1654-02B	BAGGED JUMPERS LARGE TERMINALS – 2 PER BAG	N/A	
Optional Factory Installed Primary Fuse Holders			
CL. "CC" PRI.	P/N SUFFIX = RB, RK, RX, RJ, RR, RY, RG, RL, RN, RC, -8		
*Non-rejection version available on all factory installed primary fuseblock options			
Secondary Fuse Clip Options			
1/4 X 1-1/4 SEC.	P/N SUFFIX = JQ, XQ		
9/16 X 2 SEC.	P/N SUFFIX = JM, XM FITS SMALL TERMINALS ONLY		